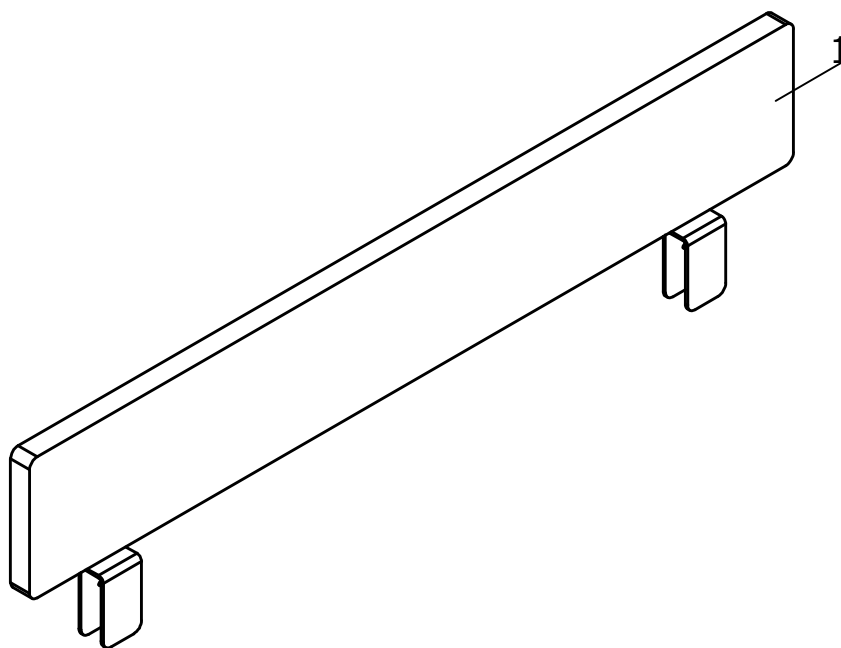




ASSEMBLY INSTRUCTION
MONTAGE HANDLEIDING
MONTAGE ANLEITUNG
NOTICE DE MONTAGE
MANUAL DE MONTAJE

UK
NL
D
F
ESP

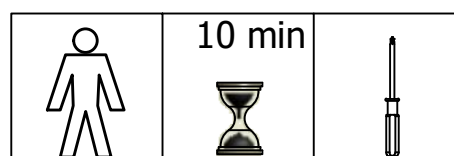
MODEL :PROTECTIONSIDE
TYPE :SAFI
COLOUR :DUNE
ART.CODE :196206.35






Distributor:

BOPITA
Energieweg 1
6662 NS Elst
The Netherlands

www.bopita.com



09.02.2024.

<p>A</p>  <p>M6X16 4X</p>	<p>B</p>  <p>M4X6 2X</p>	<p>C</p>  <p>2X</p>
---	--	---

